



## the DiCOM box® i-PRINT™ Interface

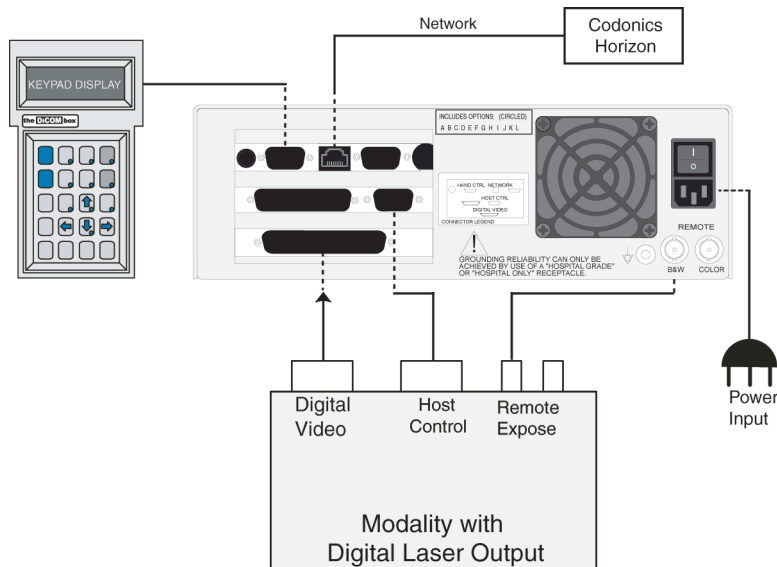
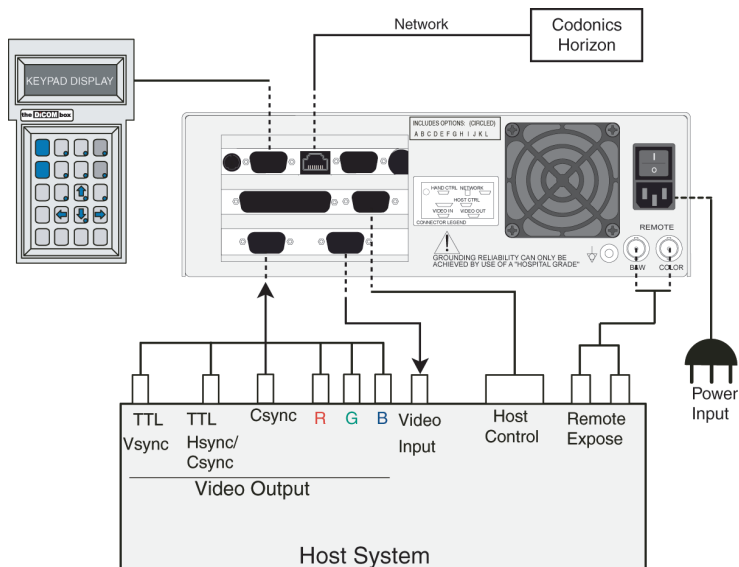
The DiCOM box i-PRINT Interface provides DICOM connectivity for all legacy imaging modalities which need access to Codonics Horizon® imagers using a DICOM network connection. Using the i-PRINT interface, it's easy to create flexible and scalable DICOM print networks. With i-PRINT, ultrasound, fluoroscopy, angio, CT, MRI and nuclear medicine systems can be adapted to print via DICOM to Horizon®. Both color and grayscale images can be captured by i-PRINT and printed on Horizon media.

The DiCOM box i-PRINT interface is available in two configurations: **i-PRINT CA** for image capture of any analog video modality and **i-PRINT DVI** for connectivity to modalities having a digital laser printer output.

Each modality requires its own i-PRINT interface. i-PRINT® is not upgradeable to support additional DICOM services such as Storage and Worklist.

### Features:

- DICOM Print
- Compatible with over 1,000 modalities
- Single button control for image capture
- Analog video rates up to 166MHz pixel clock rate 2048x1024 matrix
- Interlaced or non-interlaced video input
- Digital print compatibility to 952, 831, SPCI and KCL host control protocols
- Redundant Image Backup
- Control all DICOM print functions from i-Print keypad
- Compatible with all Horizon configurations; Ci, GS and SF
- Supports telnet & FTP for remote administration



## the DiCOM box® i-PRINT™ Analog Video Connectivity

## the DiCOM box® i-PRINT™ Digital Laser Print Connectivity

### Specifications

- **DICOM Service Classes:** DICOM Print
- **Standard Video Input:** (terminated, 75 ohms) Monochrome composite video Red, Green, Blue (RGB) and composite sync (configurable for sync on Green & separate sync) Nominal 525/625 lines Interlaced or non-interlaced Pixel Clock Minimum: 7 MHz Pixel Clock Max: 166 MHz
- **Image Matrix Max:** 2048 x 1024
- **Internal Storage:** 2.2GB or greater Hard Drive
- **Network:** Ethernet 10/100 Base T - selectable
- **Connectors:** Video I/O High Density DB15, Female pins Network: 8 pin modular jack (RJ45) Operator Interface Keypad: DB9, Male pins Host Control Input: DB9, Male pins Remote Capture Input: BNC, Female pins
- **Power Input:** 115-230 Volts, ±15% 47-63 Hz, 120 VA
- **Physical Characteristics:** Height: 3.25 inches (8.25 cm) Width: 10.125 inches (25.72 cm) Depth: 14.125 inches (35.88 cm) Weight: 8 pounds (3.68 kg)
- **Keypad:** Height: 7.15 inches (18.16 cm) Width: 4.10 inches (10.41 cm) Depth: 0.95 inches (2.41 cm) Weight: 8 ounces, (227g)
- **Environmental Operating:** Temperature: +50°F to +104°F, (+10°C +40°C) Barometric pressure: 700 hPa to 1060 hPa Relative Humidity: 5% to 80% non-condensing
- **Transit:** Temperature: +14°F to +122°F (-10°C to +50°C) Relative Humidity: 5% to 85% non-condensing
- **Clearance Requirements:** 3 inches (7.6 cm) for rear panel cable connection Do not obstruct ventilation airflow at front and rear of module
- **Classification:** EN60601-1-2 Class B Group 1
- **Agency Approvals:** UL 60601-1, CAN/CSA C22.2 NO.601.1-M90, FCC part 15

For more information, please contact:



12919 Earhart Avenue, Auburn, CA 95602 USA  
Ph: 1-866-342-6629 • 1-530-887-1008 • Fax: 1-530-887-1108  
www.dicombox.com

### Specifications

- **DICOM Service Classes:** DICOM Print
- **Standard Laser Host Control Formats:** M952, P831, SPCI, KCL
- **Video Acquisition:** Digital Image Format Up to 4K x 5K, Interface Clock Speed Up to 2 MHz, 8 bit monochrome 2.2GB or greater Hard Drive
- **Internal Storage:** Ethernet 10/100 base T - selectable
- **Network:** Digital Video Input: DB37, Female pins Network: 8 pin modular jack (RJ45)
- **Connectors:** Operator Interface Keypad: DB9, Male pins Host Control Input: DB9 Remote Capture Input: BNC, Female pins
- **Power Input:** 115-230 Volts, ±15% 47-63 Hz, 120 VA
- **Physical Characteristics:** Height: 3.25 inches (8.25 cm) Width: 10.125 inches (25.72 cm) Depth: 14.125 inches (35.88 cm) Weight: 8 pounds (3.68 kg)
- **Keypad:** Height: 7.15 inches (18.16 cm) Width: 4.10 inches (10.41 cm) Depth: 0.95 inches (2.41 cm) Weight: 8 ounces, (227g)
- **Environmental Operating:** Temperature: +50°F to +104°F, (+10°C +40°C) Barometric pressure: 700 hPa to 1060 hPa Relative Humidity: 5% to 80% non-condensing
- **Transit:** Temperature: +14°F to +122°F (-10°C to +50°C) Relative Humidity: 5% to 85% non-condensing
- **Clearance Requirements:** 3 inches (7.6 cm) for rear panel cable connection Do not obstruct ventilation airflow at front and rear of module
- **Classification:** EN60601-1-2 Class B Group 1
- **Agency Approvals:** UL 60601-1, CAN/CSA C22.2 NO.601.1-M90, FCC part 15