



Connect your non-DiCOM modalities to the PACS network.

Review dynamic images and cine loops outside the normal confines of modality workstations.

The DiCOM box CA+ is a universal DiCOM interface that allows users to review dynamic images and cine loops outside the normal confines of modality workstations. The CA+ provides real time video acquisition and DiCOM conversion from both monochrome and color video sources, capturing between ten seconds and several minutes of video data*. Acquisition frame rates are selectable, and record modes include R wave trigger, prospective, retrospective, start/stop and single frame capture.

The CA+ simplifies the connectivity process and provides cine acquisition, lossy image compression, DiCOM Store, Print, Modality Worklist, Performed Procedure Step and Storage Commitment for ultrasound, fluoroscopic, cardiac and angiographic systems. The CA+ can be fully integrated to HIS/RIS using Modality Worklist.

For additional information, contact NAI Tech Products Toll Free at 866-342-6629, or 530-887-1008.

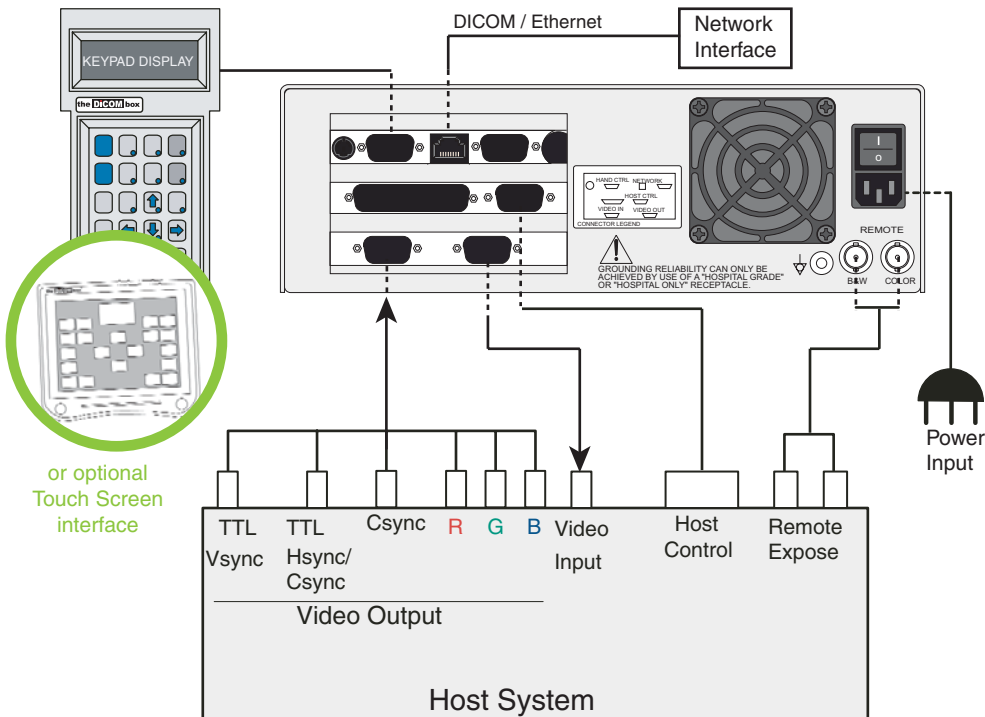
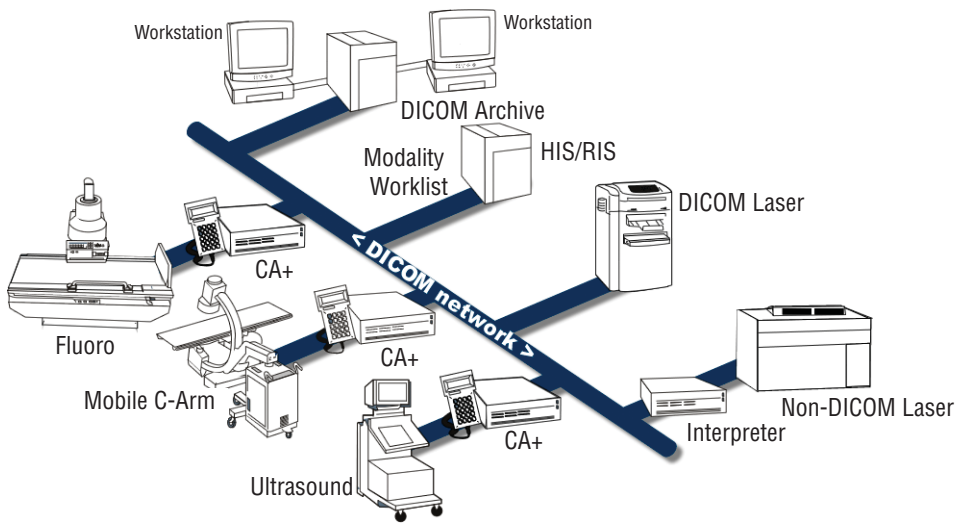
*Maximum segment record length dependent on host video specification and frame rates.

Features:

- Configurable DiCOM Services
 - DiCOM Print
 - DiCOM Store
 - Modality Worklist
 - Modality Performed Procedure Step (MPPS)
 - Storage Commitment
- Optional TouchScreen Interface
- Real-time video acquisition
 - RGB color or monochrome
- R-wave trigger 1 to multiple cycles
- Prospective and retrospective record modes
 - from every frame to every seventh frame
- Playback review through host display or attached VGA/NTSC display (not included)
- DiCOM compliant JPEG lossy compression or non-compressed transfer
- Interlaced or non-interlaced video input
- Software and option upgradability in the field
- Remote administration via telnet & FTP

the **DICOM** box®

CA+ - Cine to DICOM



12919 Earhart Avenue, Auburn, CA 95602 USA
 Ph: 1-866-342-6629 • 1-530-887-1008 • Fax: 1-530-887-1108
 www.naitechproducts.com

Specifications

- **DICOM Service Classes** (configurable)
 - DICOM Print
 - DICOM Store
 - Modality Worklist
 - Modality Performed Procedure Step
 - Storage Commitment
- **Video Input (terminated, 75 ohms)**
 - Red, Green, Blue (RGB) and composite sync
 - Monochrome composite video on green video input
 - TTL composite or separate sync
 - interlaced or non-interlaced
 - Pixel Clock Minimum: 7 MHz
 - Pixel Clock Maximum Single Frame 166MHz
 - Pixel Clock w/o Playback Max 80 MHz /*RGB/
 - 160 MHz Monochrome
 - Pixel Clock w/ Playback Max 40 MHz /*RGB/
 - 120 MHz Monochrome
 - Image Matrix Max: 1600 x 2046 RGB and B/W
 - Video Output locked to video input, or VGA
- **Video Acquisition**
 - Maximum record length dependent on host video specs*
 - 768MB video acquisition RAM
 - User selectable frame rates
- **Acquisition modes**
 - Retrospective, Prospective, Start/Stop
 - R Wave Trigger - 1 to multiple cycles
- **Image Review**
 - Configurable for image playback through host display
 - Variable frame rate playback from realtime to freeze frame
- **Network**
 - Ethernet 10/100 base T - selectable
- **Image Compression**
 - JPEG lossy, or uncompressed
- **Connectors**
 - Video I/O High Density DB15, Female pins
 - Network: 8 pin modular jack (RJ45)
 - Operator Interface Keypad: DB9, Male pins
 - Host Control Input: DB9, Male pins
 - Remote Capture Input: BNC, Female pins
- **Power Input**
 - 115-230 Volts, $\pm 15\%$ 47-63 Hz, 120 VA
- **Physical Characteristics Module**
 - Height: 3.25 inches (8.25 cm)
 - Width: 10.125 inches (25.72 cm)
 - Depth: 14.125 inches (35.88 cm)
 - Weight: 8 pounds (3.68 kg)
- **Environmental Operating**
 - Temperature: +50°F to +104°F, (+10°C +40°C)
 - Barometric pressure: 700 hPa to 1060 hPa
 - Relative Humidity: 5% to 80% non condensing
- **Transit**
 - Temperature: +14°F to +122°F (-10°C to +50°C)
 - Relative Humidity: 5% to 85% non condensing
- **Clearance Requirements**
 - 3 inches (7.6cm) for rear panel cable connection
 - Do not obstruct ventilation airflow at front and rear of module
- **Classification**
 - IEC 60601 Class I, Type B
 - EN 60601-1-2 Class B, Group 1
 - IEC 60529, IP 21
- **Agency Approvals**
 - UL 60601-1 (1st Edition);
 - EN 60601-1-2; CISPR 11B;
 - CAN/CSA C22.2 No 601.1-M90

*Contact NAI regarding limitations and availability

